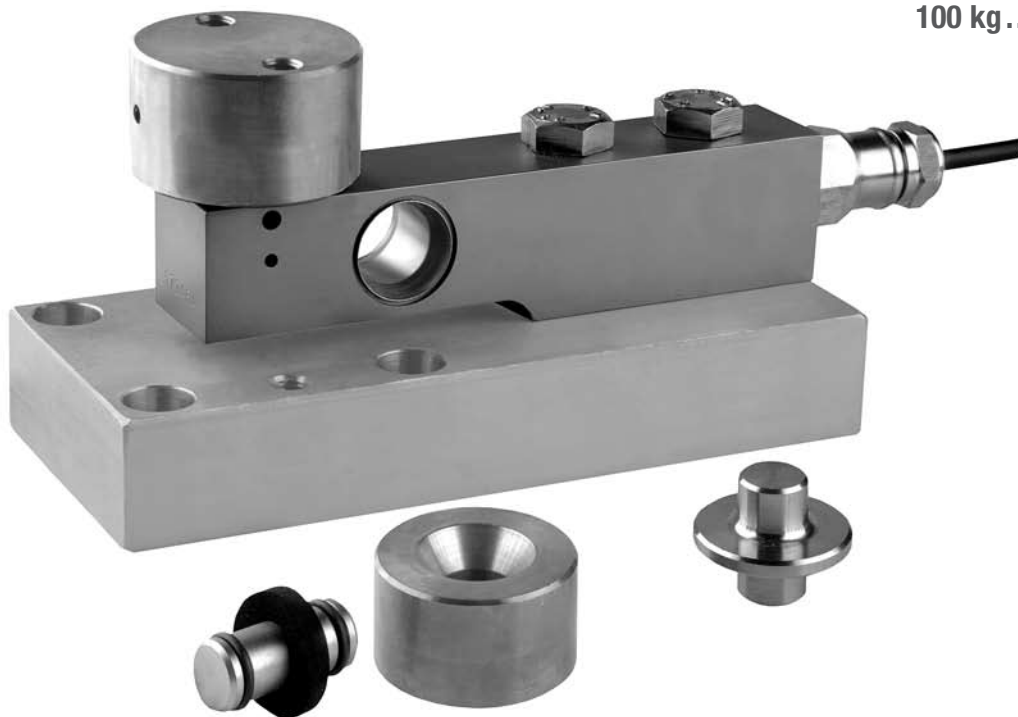


100 kg ... 10 t



Rocker pin 52-08 and SB4 load cell combined with base plate 52-00

### Product Description

Flintec load cell supports are designed to prevent unwanted forces from affecting load cell performance.

The type 52-08 is a self aligning rocker pin assembly; combining excellent load introduction with low profile design.

Especially designed for the SB4, SB5, SB14 and SLB load cells.

An Installation Guide Pin is available for easy alignment.

Material: stainless steel.

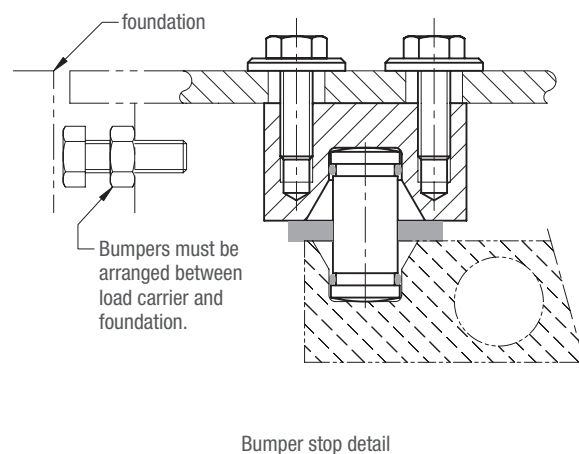
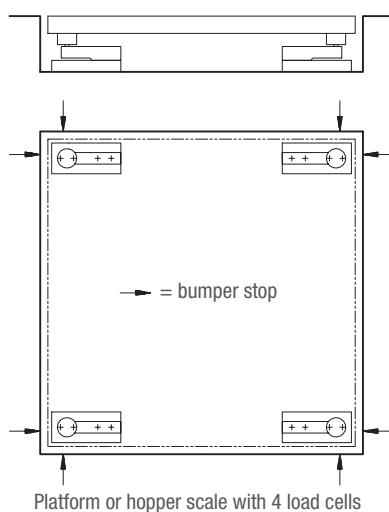
### Key Features

- Blind hole load introduction
- Capacity range: 100 kg to 10 000 kg
- Excellent reproducibility of load application
- Low profile
- Very easy to install
- W&M certified

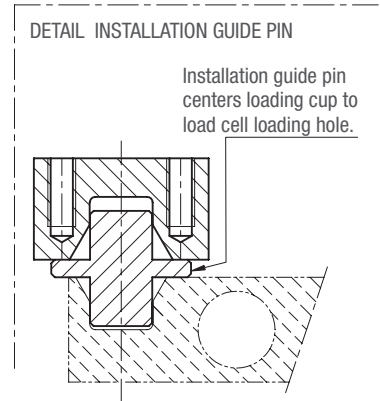
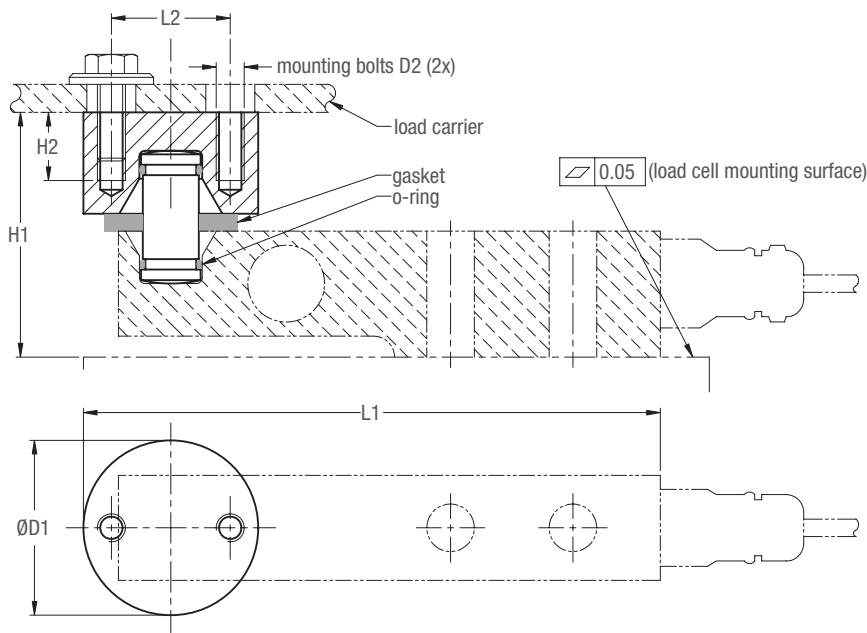
### Available Accessory

- Installation guide pin
- Load plate with 2 or 3 bumpers on request

### Examples



### Dimensions (in mm)



Note:  
Bumper stops are required.  
Gap approx. 2...3 mm.  
A special part is available  
with integrated bumper stops.



Load Cell Type	Capacity	L1	L2	H1	H2	D1	Mounting bolts D2
SLB	0.2...5 klb (91...2 268 kg)	149	34	66*	16	50	M8
	0.5...1klb (227...454 kg)			65			
SB14	2.5...5 klb (1 134...2 268 kg)	189	44	67*	20	60	M10
	10 klb (4 536 kg)			85			
SB4 / SB5	5...20 kN (510...2 039 kg)	165	34	70	20	60	M8
	50 kN (5 099 kg)	199	44	90			
	100 kN (10 197 kg)	250	50	115			

\* Including spacer  
Restoring force: approx. 3% of actual load / mm lateral displacement of load introduction.  
CAD files for customer's own application drawings are available on request.

### Details Type SLB Load Cell

