

Type 55-01-07H Rocker System

30 t and 40 t



Rocker System 55-01-07H with RC3 Load Cell



Flintec Bubble Level

Product description

Flintec load cell supports are designed to prevent unwanted forces from affecting load cell performance.

The type 55-01-07H is a self aligning rocker system, combining excellent load introduction with low profile design.

Especially designed for the RC3/RC3D load cells.

Material: steel, zinc plated.

The unique Flintec bubble level is available for accurate vertical alignment of the load cell.

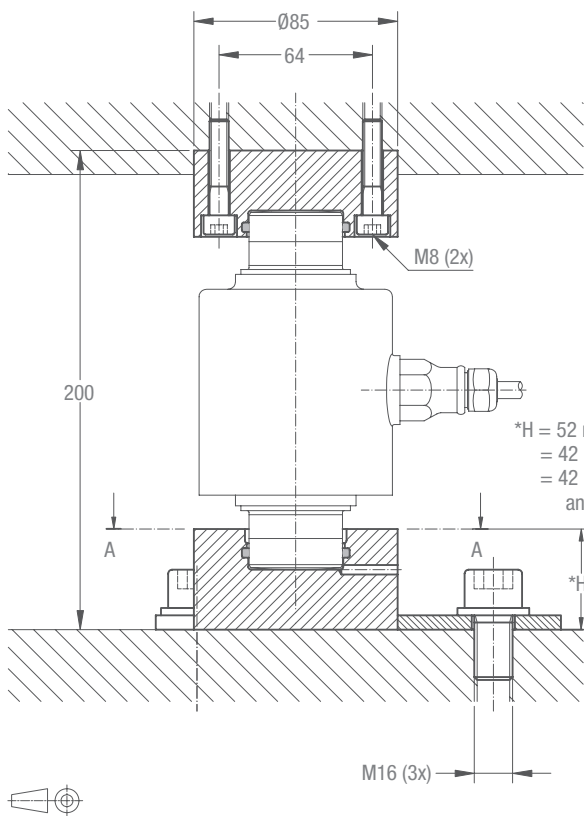
Key Features

- Capacity 30 t and 40 t
- Low cost
- Very easy to install
- Especially designed for weigh bridges
- W&M certified

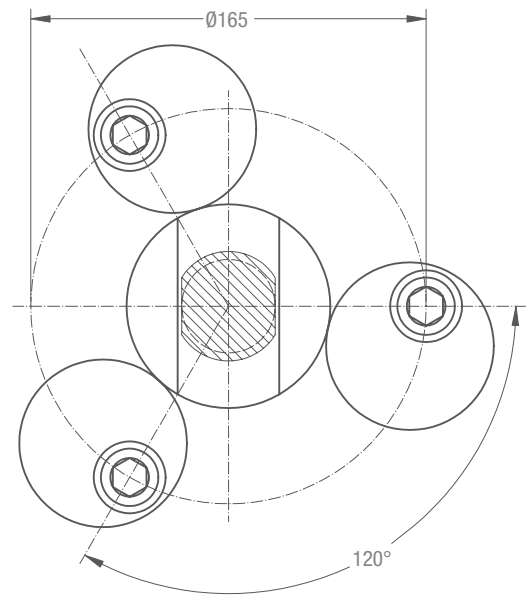
Available Accessory

- Bubble level

Dimensions (in mm)



*H = 52 mm for RC3-30 t
 = 42 mm for RC3-40 t
 = 42 mm for RC3D-30 t
 and RC3D-40 t



NOTES:

- Bumper stops are required.
Gap approx. 3...5 mm.
- Mounting surfaces to be horizontal
-within 0.4/100 for legal for trade applications,
-within 0.8/100 for general applications.

Assembly drawings with installation instructions and CAD files for customer's own applications drawings are available on request.

Remark: Ground cable (L=350 mm) to be mounted with screws M10 x 20.