



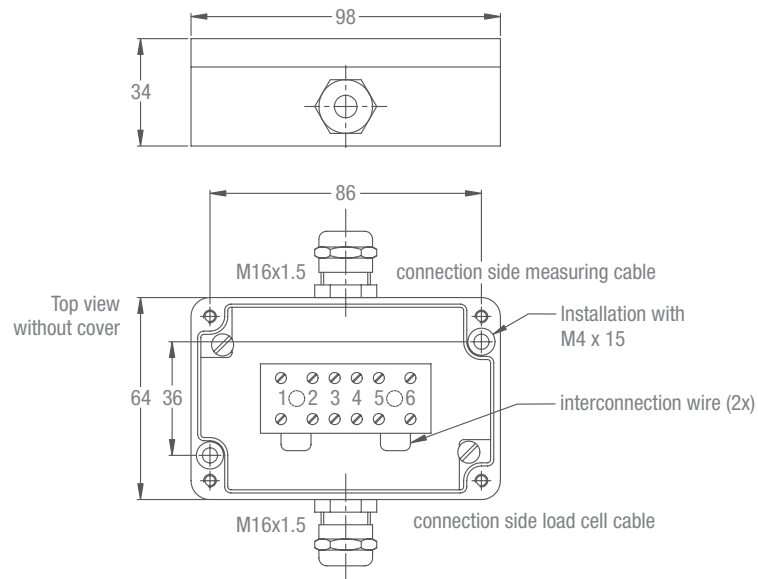
Product Description

The painted aluminium junction box is designed to connect 1 load cell. The junction box can be connected with a shielded 6-wire cable to the instrumentation.

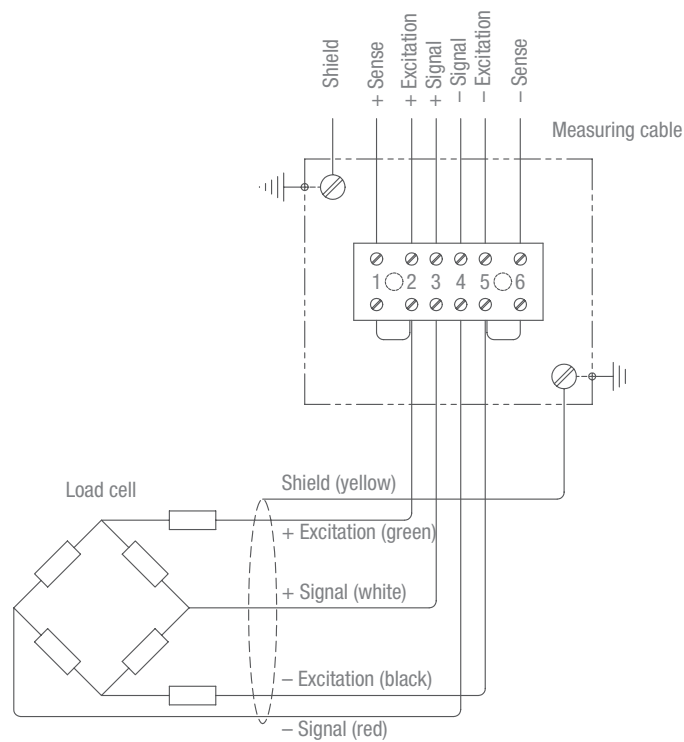
Key Features

- Connection for 1 load cell
- Rugged industrial aluminium box
- Cable connection with screw terminals
- Protection IP66

Dimensions (in mm)



Wiring



Notes

- Cable gland M16x1.5 for cable diameter 4...8 mm.